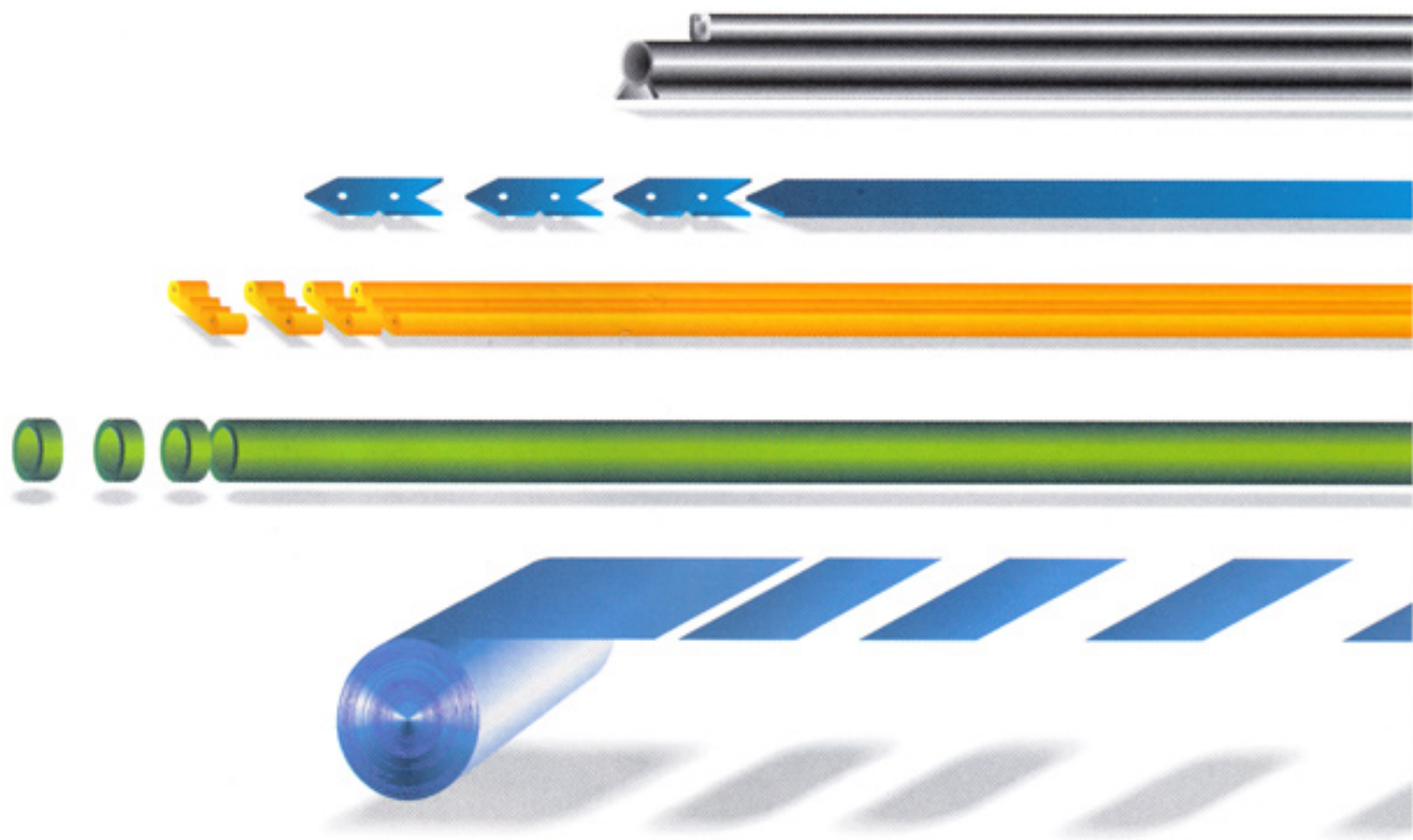


An innovative, modular sectioning system -
accurate, fast and adaptable

The System



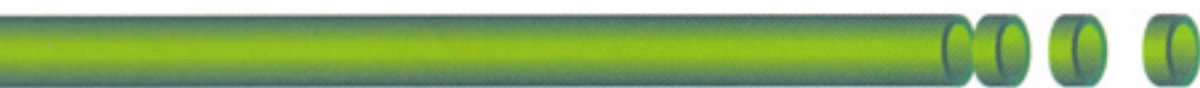
Designed to meet your

As efficient manufacturers of modular cutting and sectioning machines, we are capable of satisfying our customers' requirements, however demanding they may be.

Our machines are designed on the modular principle so that we can meet the challenge presented by a wide variety of industrial applications.

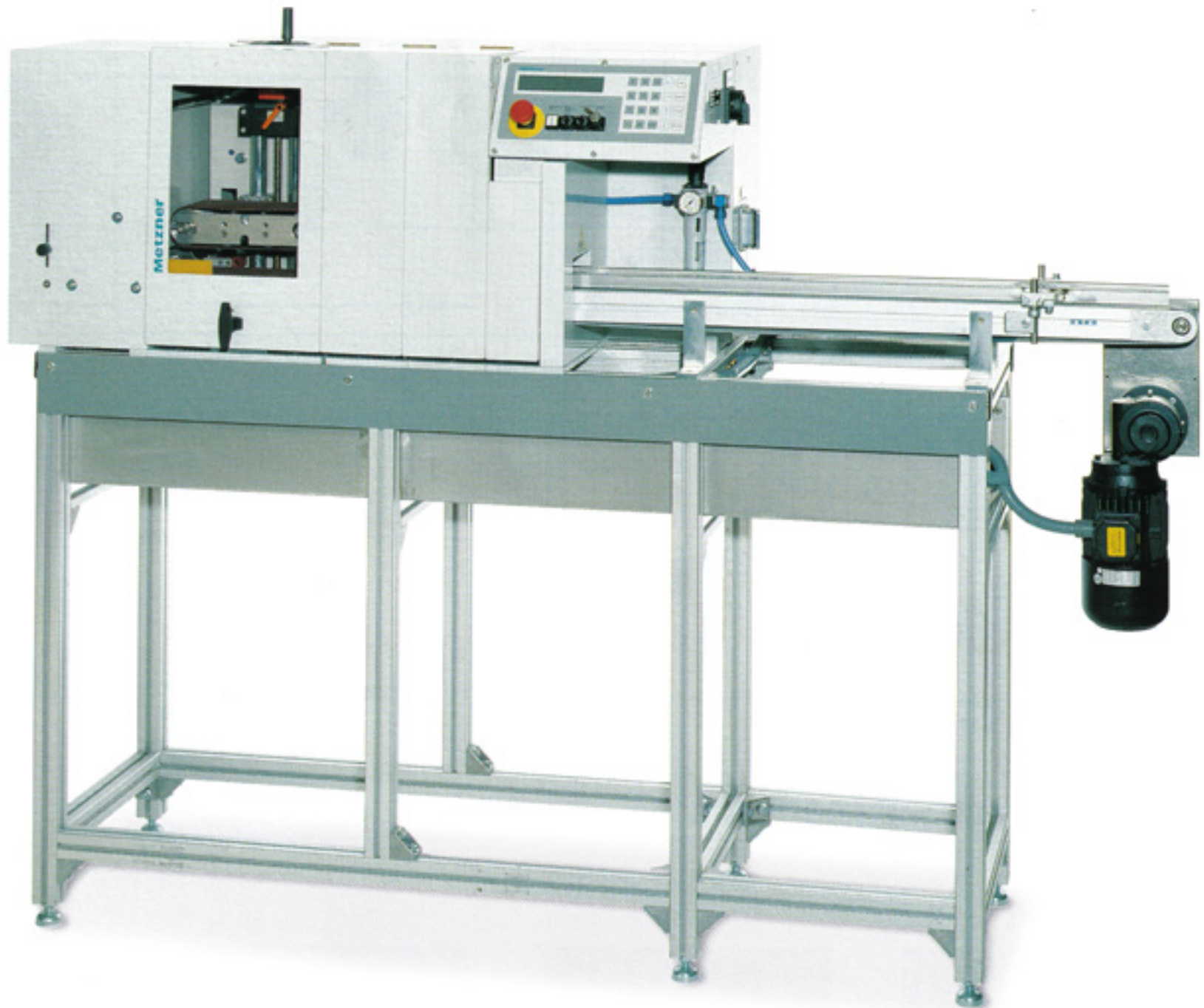
We offer our customers the opportunity to assemble their machines from modules specifically in accordance with their needs. In addition to standard systems, this means that we can design production lines for particular products, enabling you to gain a clear advantage over the competition.

We use the latest mechanical and electronic technologies in our systems. As a result, our plants and machines are exceptionally economical and user-friendly.



Our unique modular systems give you flexibility

specific requirements

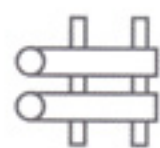


Tailor-made combinations of modules

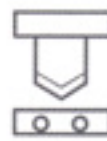
Irrespective of our customers' problems or requirements, we can offer the ideal solution by combining individual modules to form a complete production line.

Any direction of material flow can be selected.

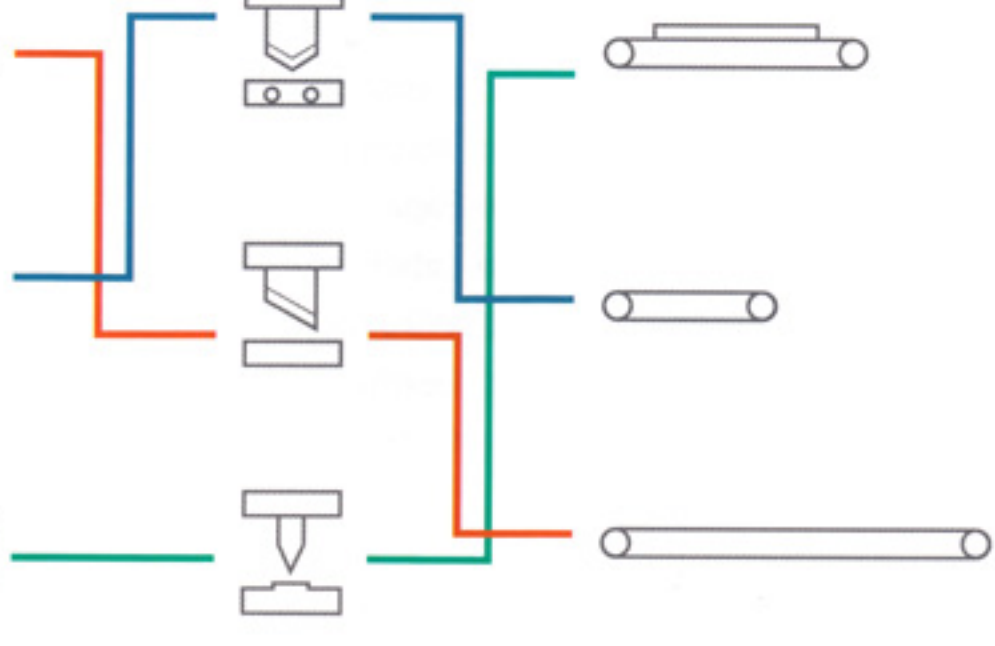
Positioning/feeder mechanisms



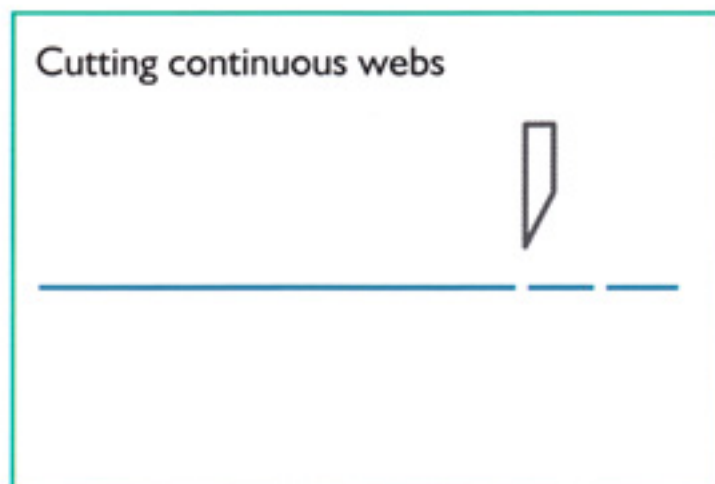
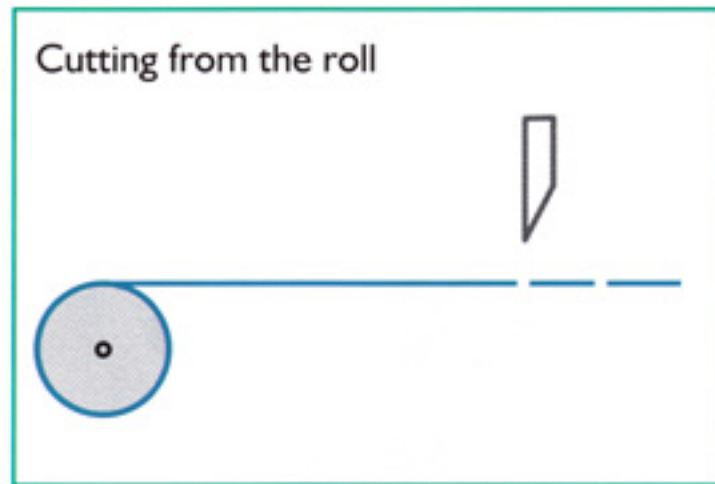
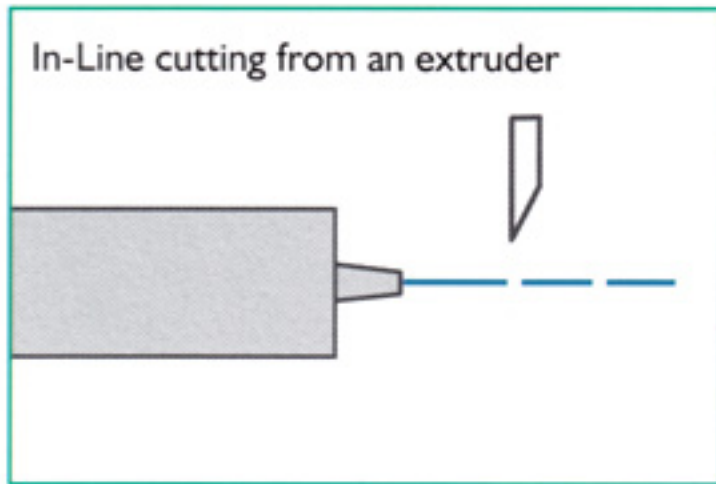
Cutting modules



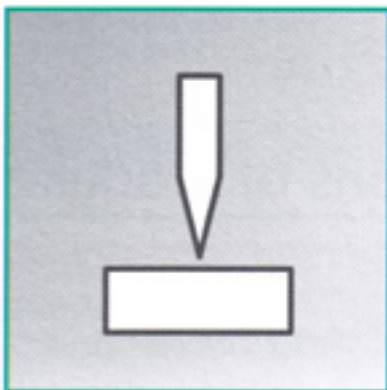
Offtake conveyers



Purpose-made sectioning and cutting facilities

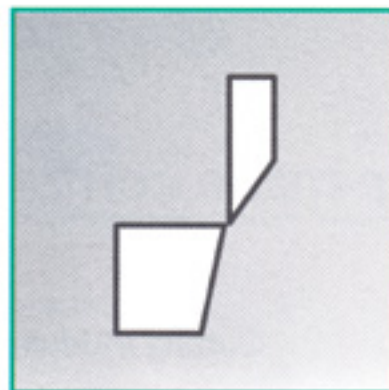


Principle cutting methods



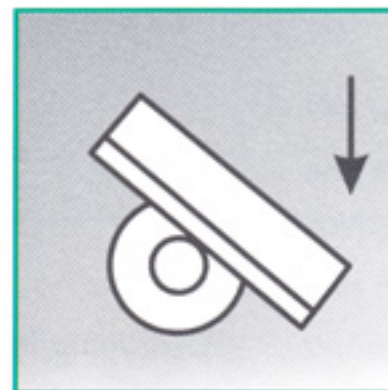
Die Cut

- Rubber profiles
- Rubber tubes
- Rubber belts
- Plastic profiles
- Foam rubber
- Steel reinforced rubber profiles for the automotive industry



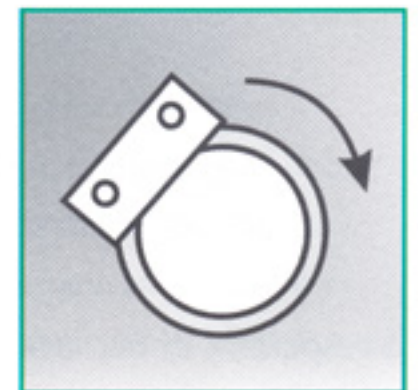
Shear Cut

- Plastic sheets
- Textiles
- Paper
- Labels
- Wire mesh
- Leather
- Cables



Drawing Cut

- Medical tubes
- Silicone tubes
- Medium hard plastic pipes
- Brake hoses
- Corrugated hoses
- Steel reinforced rubber profiles for the automotive industry

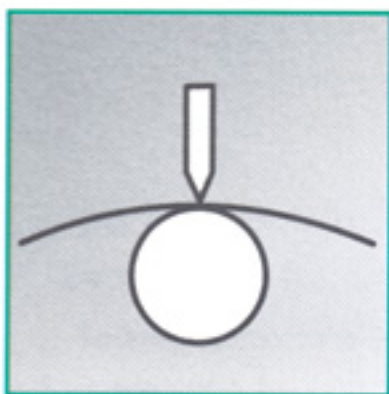
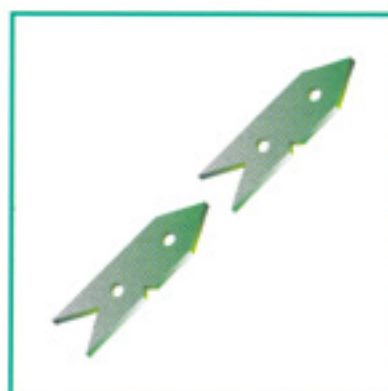
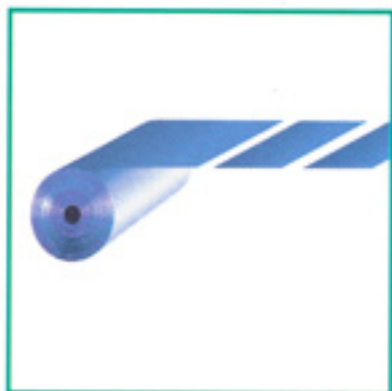
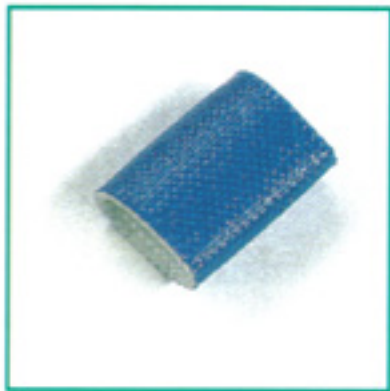


Circumference Cut

- Plastic pipes
- Cardboard cores
- Heavy-gauge rubber hoses

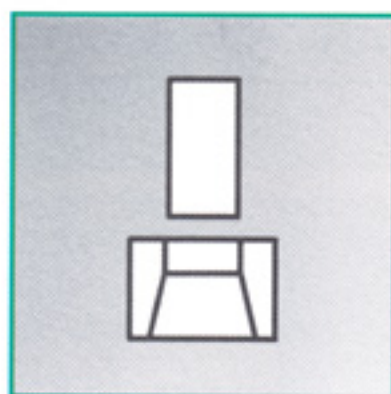
Examples of sectioning and cutting different materials

With our systems, you will have the capability to process any number of materials as required.



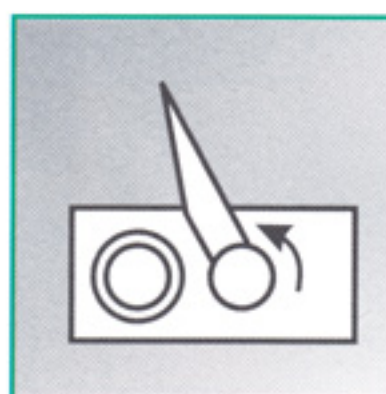
Hot Cut

- Woven synthetic tapes
- Braided hoses



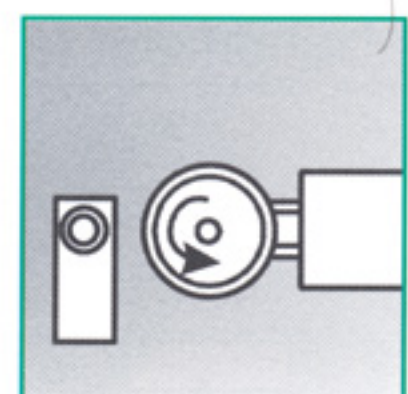
Die Cut

- Rubber profiles and other materials needing different shapes at each end



Flying Knife Cut

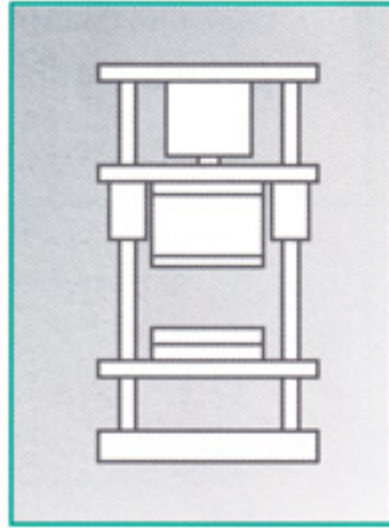
- Medical tubes
- Medium hard plastic pipes
- Hoses



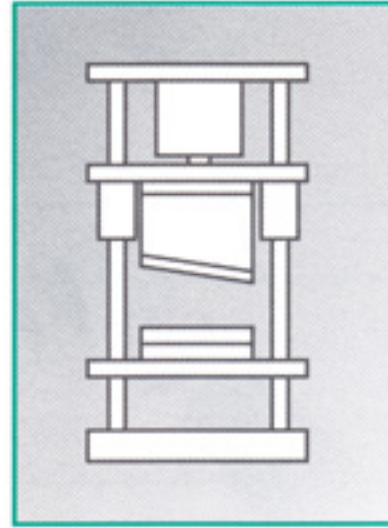
Rotary Cut

- Rubber seals
- Steel reinforced rubber profiles for the automotive industry

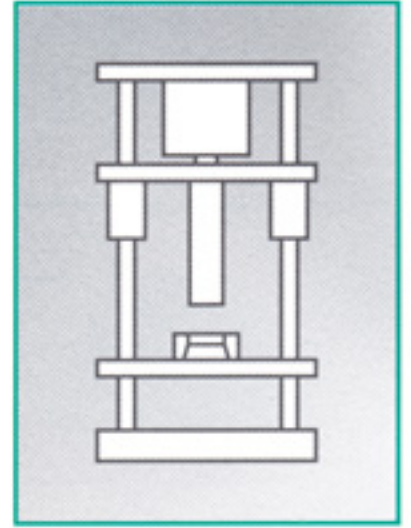
Cutting modules



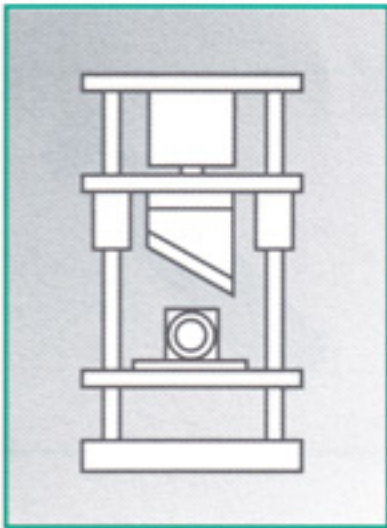
Die Cut



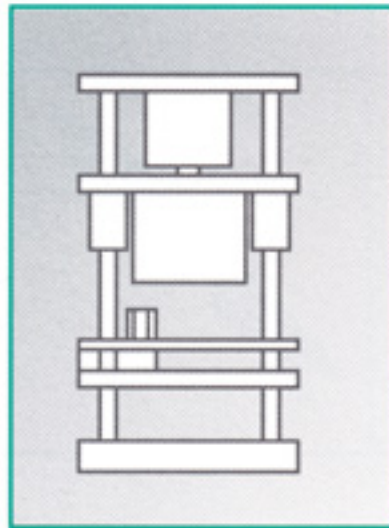
Shear Cut



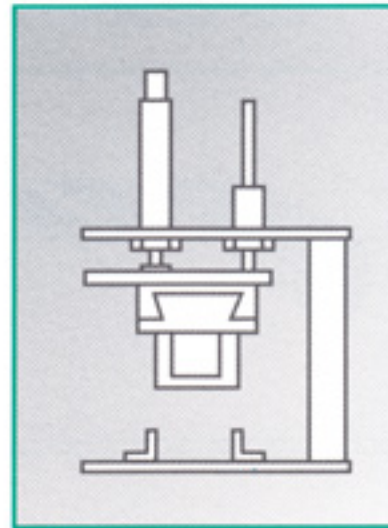
Shaped Cut



Drawing Cut

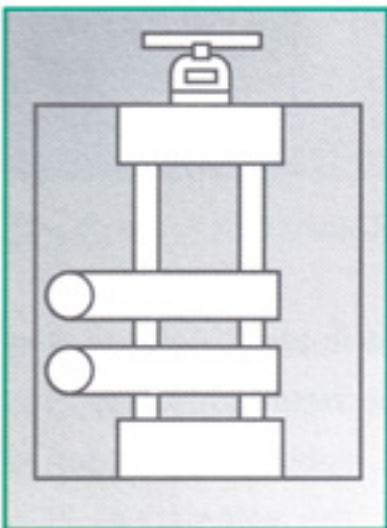


Clamped
Horizontal Cut

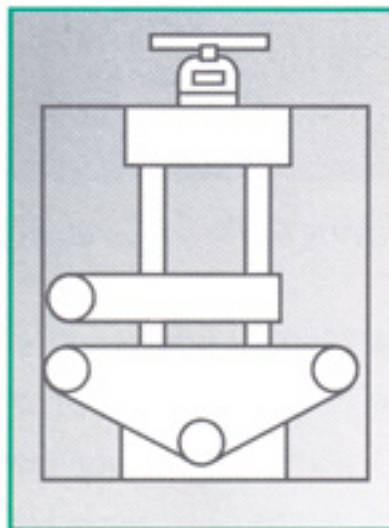


Hot Cut

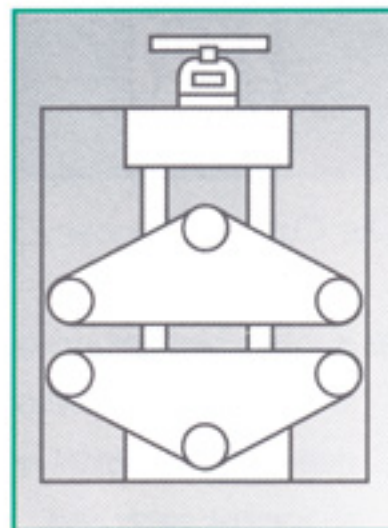
Haul off and feed units with synchronous drive



Nip Roller Feed



Combined
Belt/Roller Feed

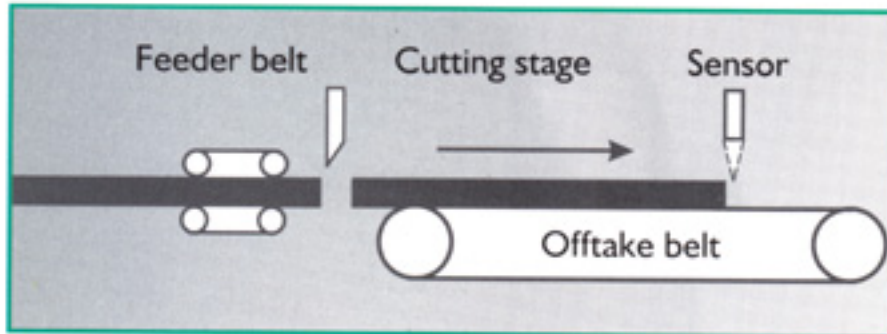


Upper and
lower Belt Feed

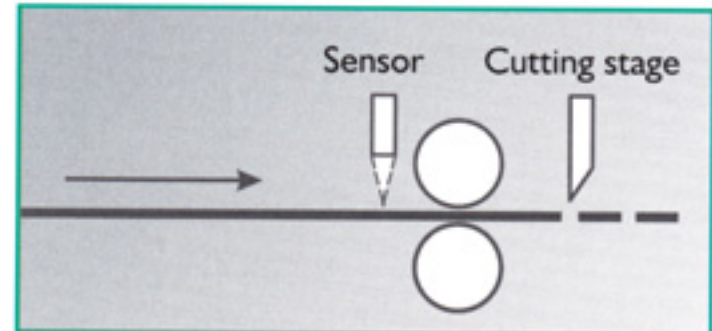
Our Feed units are supplied in standard effective lengths of 200 and 400 mm and widths of 50/100/200 and 400 mm. In this way, we achieve extremely accurate positioning. These units can also be used as Haul-Offs for extruders.

Length measuring systems

Optical length measuring system
for soft or flexible materials



Optical length measuring system
for printed materials, e.g. labels

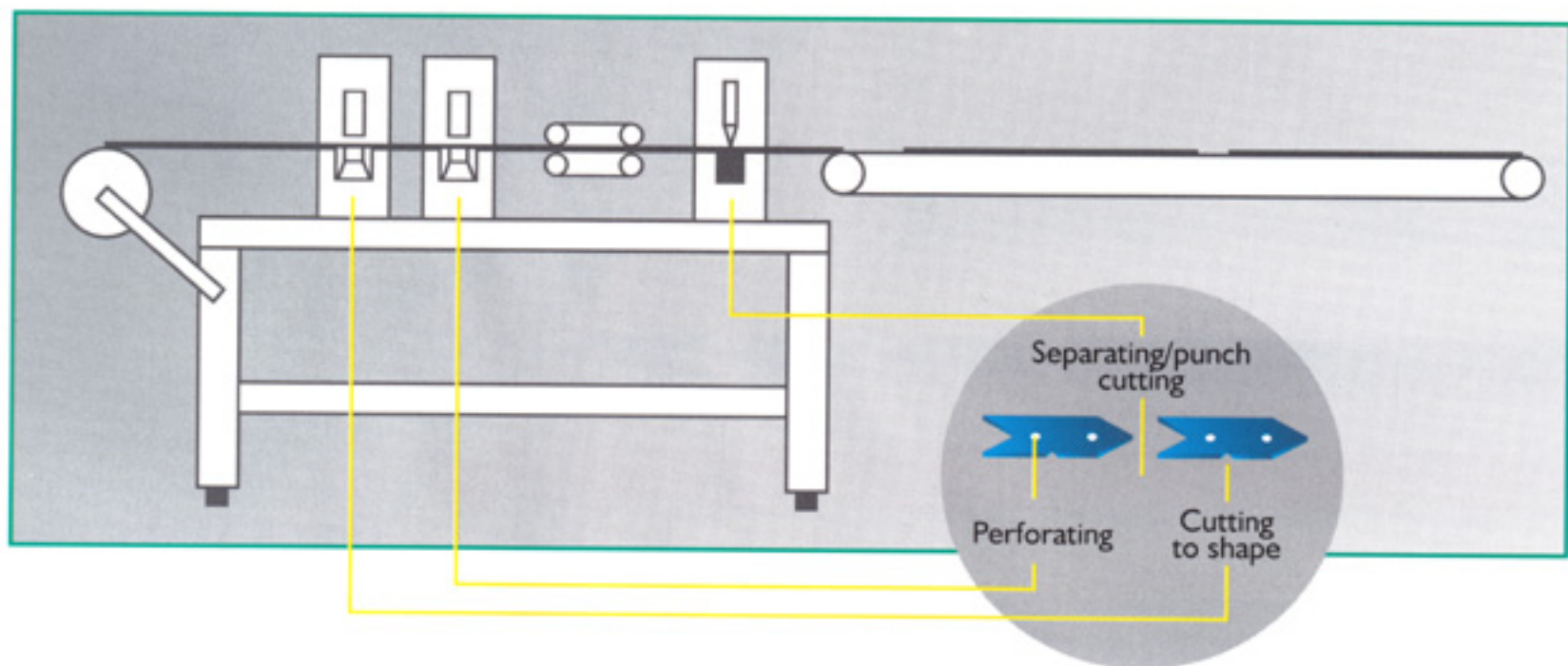


Our cutting systems are designed to perform the precise sectioning of a wide variety of materials. Cross sections of any shape can be cut to lengths ranging from 1/10 mm to 100 m.

The maximum width of cut is 800 mm; the maximum height of cut is 210 mm.

**Accurate
sectioning to
specified
dimensions**

Production lines incorporating different separating and punching modules



Rather than being mere machine makers, we see ourselves as associates of our customers. Our relationship begins with an analysis of your requirements. We want the products you make to offer quality and

economy to the utmost extent. Tailor-made configurations can be achieved with our unique modular system.

We are reliable problem solvers and suppliers to countless well known companies.

**Take advantage
of our modular
systems**

Metzner
Maschinenbau GmbH

Messerschmittstr. 30

D-89231 Neu-Ulm

FON +49 (0)731 / 4 01 99-0

FAX +49 (0)731 / 4 01 99-33

eMail: sales@metzner.com

<http://www.metzner.com>